

The 222CB is a 2-way normally closed valve for air, water, and steam applications.

### Features

- Forged brass body with large wrench flats
- Repair kits available



### Options

- Optional Voltages: 480, 120-240 & 240-480/50-60 Hz

### Specifications

- 3/8" & 1 1/2" NPT Solenoids
- Rulon Seat Material
- Watts: 12 @ 60Hz
- VA Inrush: 38
- VA Holding: 19
- Maximum working pressure: 300 psi
- Minimum Operating Pressure Differential : 5 psi
- Standard Voltages: 24, 120, 208-240/50-60 Hz
- UL/CUL file number: MP604

• Weights:	<b>Pipe Size</b>	
	3/8, 1/2	1 lb. 8 oz.
	3/4	3 lbs.
	1	4 lbs. 4 oz.
	1-1/4	6 lbs. 2 oz.
	1-1/2	8 lbs. 6 oz.

### Ordering Information \*

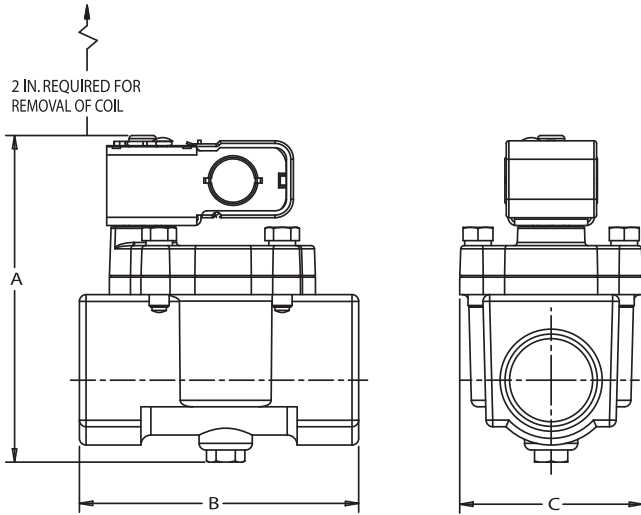
Pipe Size	Orifice Size	M.O.P. <sup>2</sup>	Cv	Max. AC Fluid Temp. <sup>1</sup>	Recommended Coils			Description	PCN	Elastomer
		AC			Size	Insulation	Enclosure			
<b>Brass General Purpose</b>										
3/8	1/2	250	3.5	180°F	A 12 Watts @ 60 Hz	M Class F Molded	G Junction Box	222CB3/8B1/2B		BUNA-N
1/2	1/2		3.5					222CB1/2B1/2B	039917	
3/4	3/4		7.0					222CB3/4B3/4B	028192	
1	1		13.0					222CB1B1B	039931	
1-1/4	1-1/4		16.0					222CB1-1/4B1-1/4B	039918	
1-1/2	1-1/2		25.0					222CB1-1/2B1-1/2B	038879	
<b>Brass Steam</b>										
1/2	1/2	150	3.5	400°F	A 12 Watts @ 60 Hz	H Class F Molded	G Junction Box	222CB1/2B1/2T	037958	Rulon with Ethylene Propylene Gaskets
3/4	3/4		7.0					222CB3/4B3/4T	039930	
1	1		13.0					222CB1B1T	039834	
1-1/4	1-1/4		16.0					222CB1-1/4B1-1/4T	040532	
1-1/2	1-1/2		25.0					222CB1-1/2B1-1/2T	040582	
<b>Brass Steam</b>										
3/4	3/4	150	7.0	400°F	Same As Above			222CB- 3/4 B-3/4 P	041314	Ethylene Prop.

<sup>1</sup>With an ambient temperature of 77°F.

<sup>2</sup>Maximum Operating Pressure Differential.

\*VLC - See coil assemblies for availability.

## 222CB Dimensional Data (in)



Orifice Size	A*	B	C
1/2	4.59	2.47	1.63
3/4	4.91	3.25	2.06
1	5.38	4.06	2.63
1 1/4	5.66	4.56	3.00
1 1/2	6.16	5.25	3.44

\* Add 0.97 for Manual Override

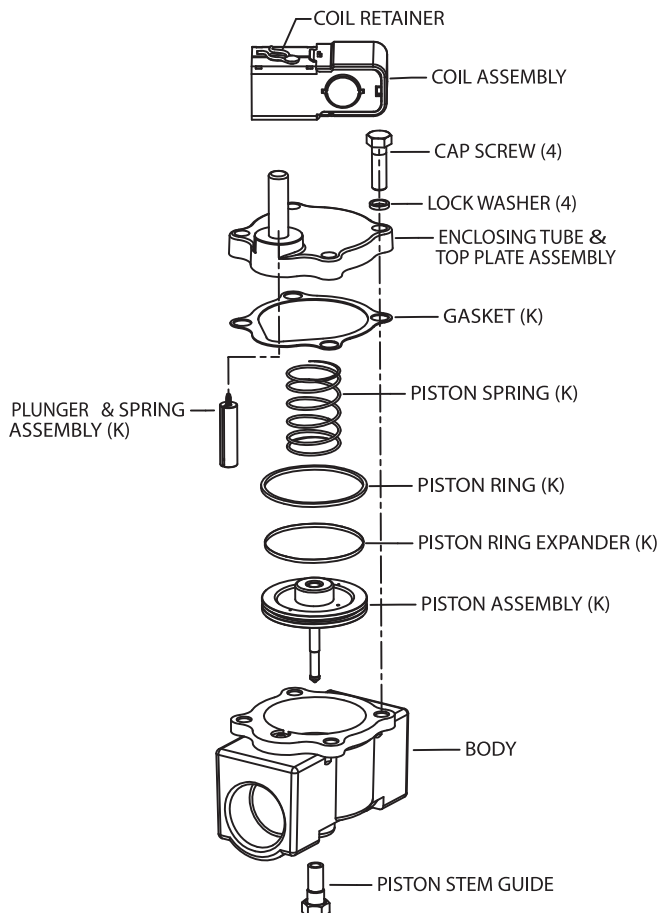
## Valve Options

Options	To Order
Manual Override (not for steam) Field Installed	Add suffix "M" to catalog number.

## 222CB Valve Repair Kits

Seat Material	Orifice Size - NPT									
	3/8 & 1/2	PCN	3/4	PCN	1	PCN	1-1/4	PCN	1-1/2	PCN
Buna-N	K-1116	030765	K-1120	037558	K-1124	028955	K-1128	031349	K-1132	028956
Rulon	K-1118	029235	K-1122	021109	K-1126	034178	K-1130	034047		
Ethylene Propylene			K-1121	040680						

## Exploded View



### Valve Repair Kit

"K" indicates part is supplied in valve repair kit.

### Coil Assembly

See coil assemblies for availability.