

The 210CA/211CA is a 2-way normally closed valve used in air, water and steam applications. The 210CA valve is pilot-operated and the 211CA valve is direct-acting.

Features

- Unique captive diaphragm and seal
- Superior life with stainless steel enclosing tube
- Repair kits available

Options

- Optional Voltages: 12 or 24 VDC & 120-240, 480 & 240-480/50-60 Hz



3/8", 1/2", 3/4"



1" Only

Specifications

- Watts: 12 A.C.
- VA Inrush: 31
- VA Holding: 19
- Maximum working pressure: 300 psi (250 psi on 1" 210C only)
- Weight: 1 lb. 3 oz.
- Standard Voltages: 24, 120, 208-240/50-60 Hz
- Diaphragm Operated Solenoid Valve:
 - 210CA - from 5 to 150 psi. 3/8" to 1" NPT
 - 211CA - from 0 to 100 psi. 3/8" to 3/4" NPT
- UL/CUL file number: MP604

210CA Ordering Information*

Pipe Size	Orifice Size	M.O.P.D		Cv	Max. AC Fluid Temp. ¹	Recommended Coils			Description	PCN	Elastomer
		AC				Size	Insulation	Enclosure			
Brass General Purpose											
3/8	5/8	150		2.8	180°F	A 12 Watts AC	M Class F Molded	G Junction Box	210CA3/8B5/8B	030619	BUNA-N
1/2	5/8	150		3.6					210CA1/2B5/8B	030620	
3/4	3/4	125		5.5					210CA3/4B3/4B	030621	
1	1	125		13					210CA1B1B	038629	
Brass-Hot Water (210°F) or Steam (TO 250°)											
3/8	5/8	100 ²	15 ³	2.8	250°F	A 12 Watts AC	M Class F Molded	G Junction Box	210CA3/8B5/8P		Ethylene Propylene
1/2	5/8	100 ²	15 ³	3.6					210CA1/2B5/8P	030623	
3/4	3/4	100 ²	15 ³	5.5					210CA3/4B348P	030624	

211CA Ordering Information*

Pipe Size	Orifice Size	M.O.P.D		Cv	Max. AC Fluid Temp. ¹	Recommended Coils			Description	PCN	Elastomer
		AC				Size	Insulation	Enclosure			
Brass General Purpose											
3/8	5/8	100		2.8	180°F	A 12 Watts AC	M Class F Molded	G Junction Box	211CA3/8B5/8B	030625	BUNA-N
1/2	5/8	100		3.6					211CA1/2B5/8B	030626	
3/4	3/4	100		5.5					211CA3/4B3/4B	030627	
Brass-Hot Water (210°F) or Steam (TO 250°)											
3/8	5/8	100 ²	15 ³	2.8	250°F	A 12 Watts AC	M Class F Molded	G Junction Box	211CA3/8B5/8P	032303	Ethylene Propylene
1/2	5/8	100 ²	15 ³	3.6					211CA1/2B5/8P	032304	
3/4	3/4	100 ²	15 ³	5.5					211CA3/4B348P	032305	

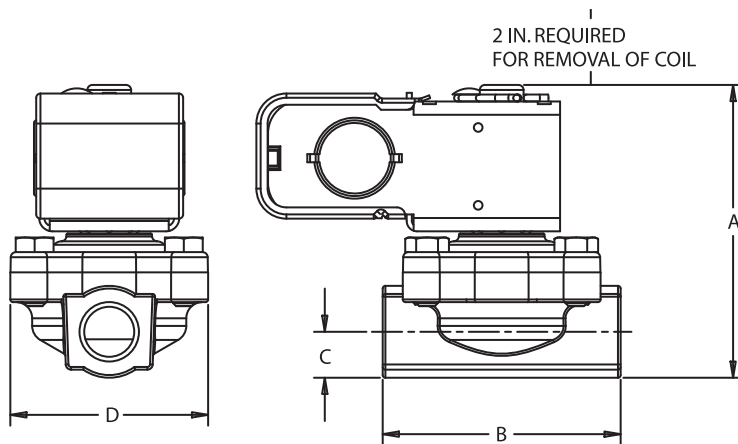
¹With an ambient temperature of 77°F.

²MOPD-Hot Water

³MOPD-Steam

*VLC -See coil assemblies for availability.

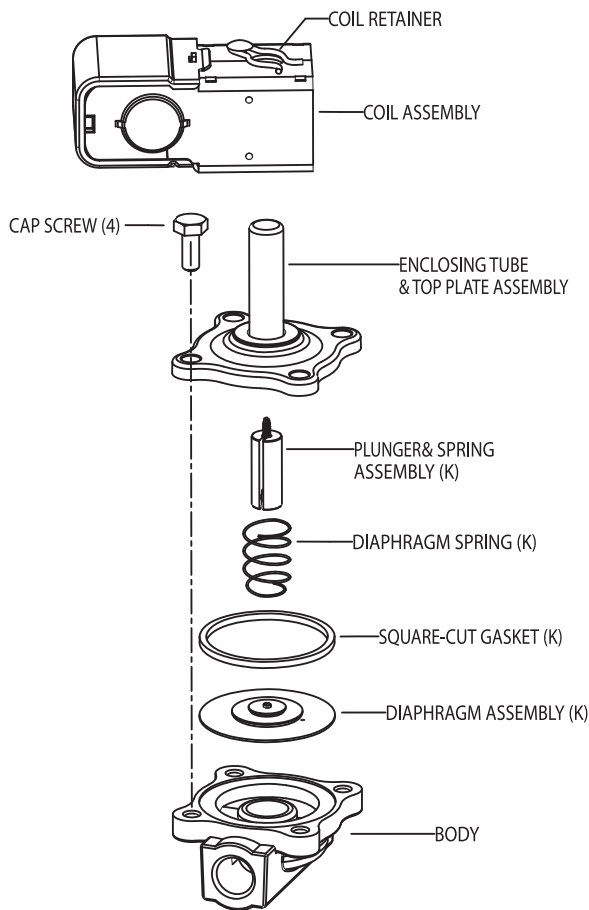
Dimensional Data (in)



Pipe Size	A	B	C	D
3/8	3.56	2.75	0.53	2.29
1/2				
3/4	3.83	2.81	0.66	
1"	4.55	4.16	0.84	4.31

* 1" Pipe available on 210C valve only.

Exploded View



210CA Valve Repair Kits

Seat Material	Connection Size					
	3/8 & 1/2	PCN	3/4	PCN	1	PCN
Buna-N	K-1155	028964	K-1231	045072	K-1177	038934
Ethylene Propylene	K-1156	029856	K-1232	045083		

211CA Valve Repair Kits

Seat Material	Kit #	PCN
Buna-N	K-1157	034357
Ethylene Propylene	K-1158	039879

Valve Repair Kit

*K" indicates part is supplied in valve repair kit.

Coil Assembly

See coil assemblies for availability.