

# AAON INC.

2425 S. YUKON TULSA, OKLAHOMA

VENDOR: AAON PART NUMBER TO BE ON CARTON OR PART ITSELF.

SOLIDEDGE MODEL #  

REV.	BY	ECN NUMBER	DATE
NEW	GW	89X	01/31/96
A	SJH	1756AK	07/27/09
B	DR	847AP	07/06/12

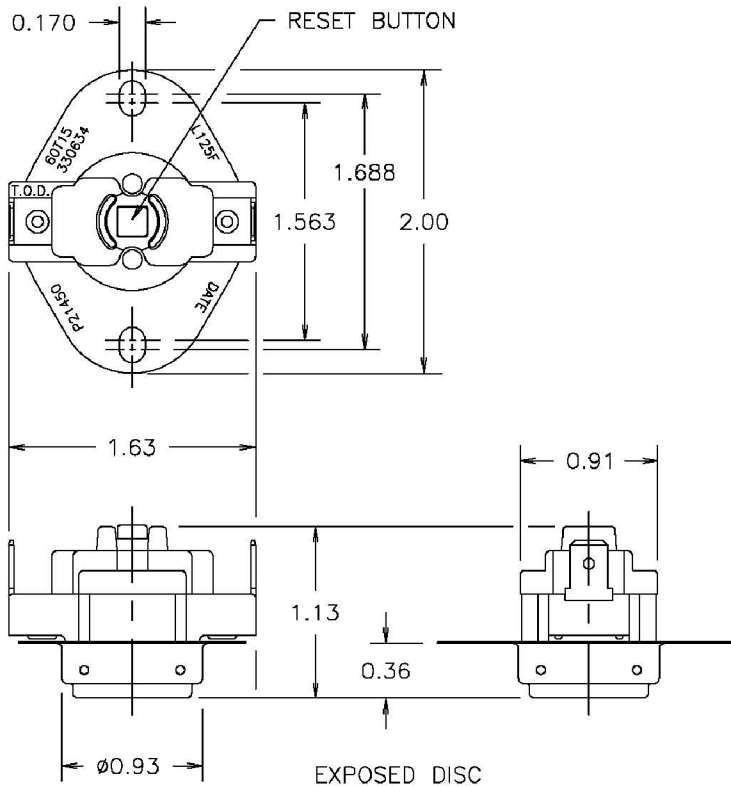
DWG BY:	BLH	PCN #	P 21450	REV.	
DATE:	08/08/12				B
SHEET	1 / 1	APPD BY:			

COMPONENT: SWITCH FSTAT 125 EXPO .38" RA

**THERMODISC**  
THE LEADER IN SENSORS AND CONTROLS

## SPECIFICATIONS

- Series : 60T
- Manufacturer : THERMODISC
- Part No. : 60T15 330634
- Maximum Temperature : 350 °F
- Auto Open : 125 °F
- Manual Close (or Close Temp) : YES
- Tolerance : ± 5° F
- Termination : 0.250 ± 0.003 X 0.032 ± 0.001 , 90° Blade Terminals (Tin Plated)
- Pilot Duty : 125 VA



ALSO APPROVED UNDER UL # MH5304 and CSA # LR19988

\*\*\*DIMENSIONS ARE FOR REFERENCE ONLY UNLESS OTHERWISE NOTED\*\*\*

APPROVED VENDOR / MANUF. (1) <u>THERMODISC</u>	APPROVED VENDOR / MANUF. (4) _____				
APPROVED VENDOR / MANUF. (2) _____	APPROVED VENDOR / MANUF. (5) _____				
APPROVED VENDOR / MANUF. (3) _____	APPROVED VENDOR / MANUF. (6) <u>Engineer approved Equivalent</u>				
(1) UL <u>E19279</u>	(2) UL _____	(3) UL _____	(4) UL _____	(5) UL _____	(6) UL _____
CSA <u>LR10281</u>	CSA _____	CSA _____	CSA _____	CSA _____	CSA _____
CE _____	CE _____	CE _____	CE _____	CE _____	CE _____